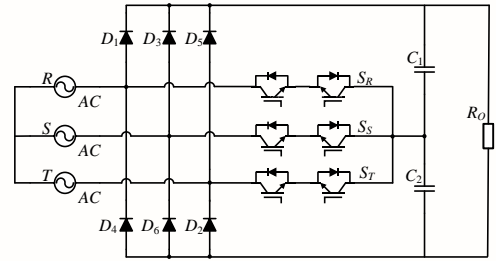
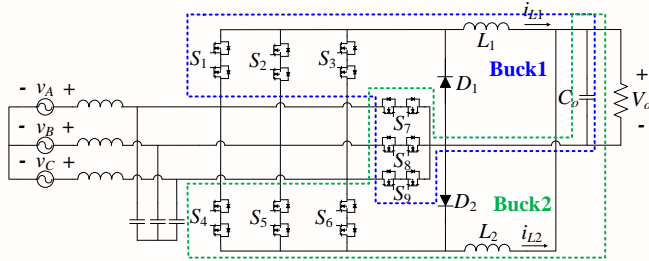


Power Electronics Lab

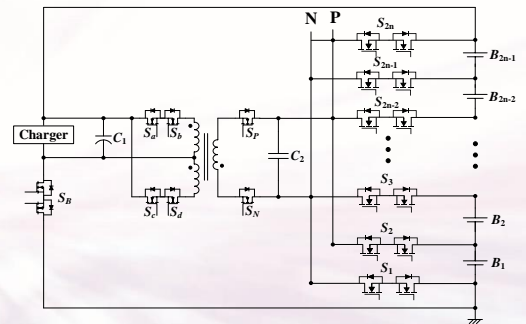
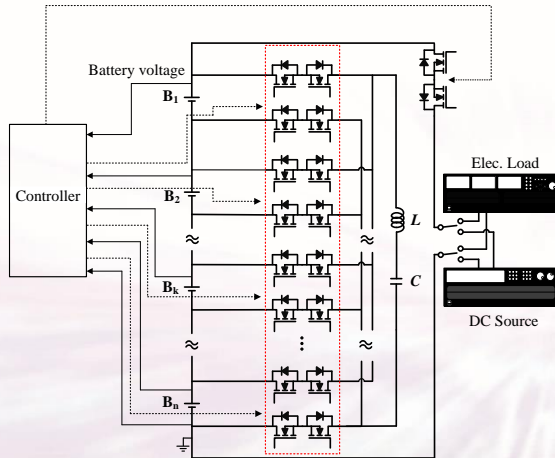
● 3-Phase Rectifier

- Step-down Power Factor Correction
- Rectifier with Multiple Input Voltage Levels



● Battery Management

- Single-capacitor Charge-Equalization
- Push-pull Charge-Equalization



● Wireless power transfer

- S-P compensation
- LLC-P compensation

