

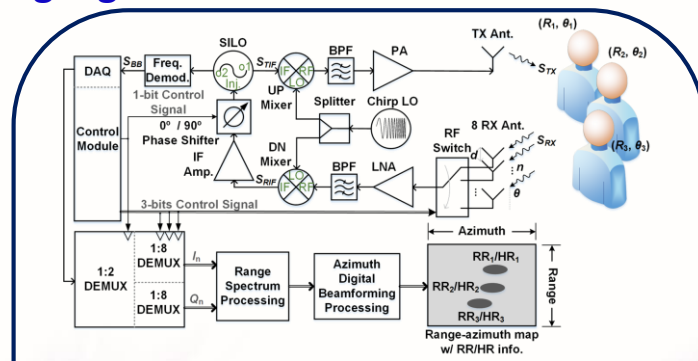
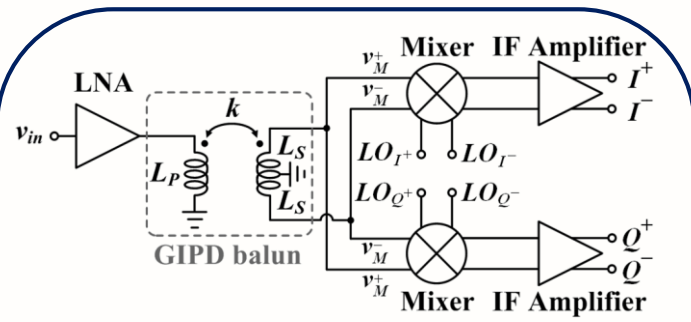


## RF and Microwave Laboratory

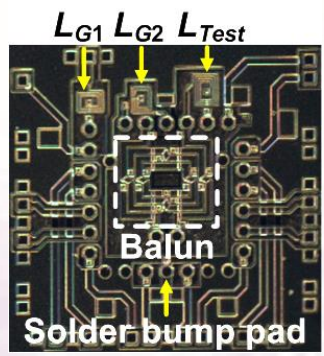
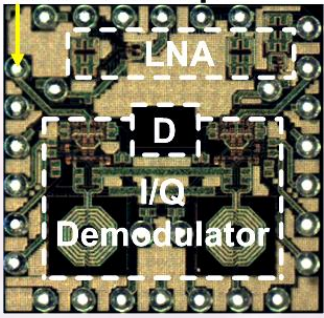
### Lab History

This laboratory was founded by Prof. Tzyy-Sheng Jason Horng since 1992 to undertake cutting edge research in RF and microwave areas for wireless communications and Doppler radar sensors. To date, it has graduated more than 20 PhD and 100 MS students and carried out more than 120 research projects for Taiwan government and industry, which leads to more than 250 publications in refereed journals and conference proceedings and 80 worldwide patents.

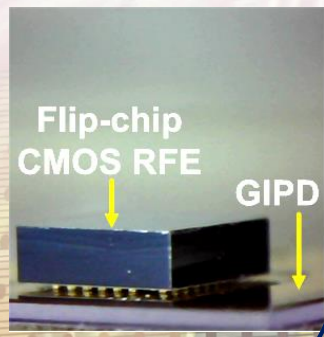
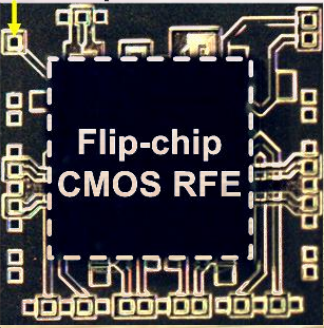
### Research Highlights



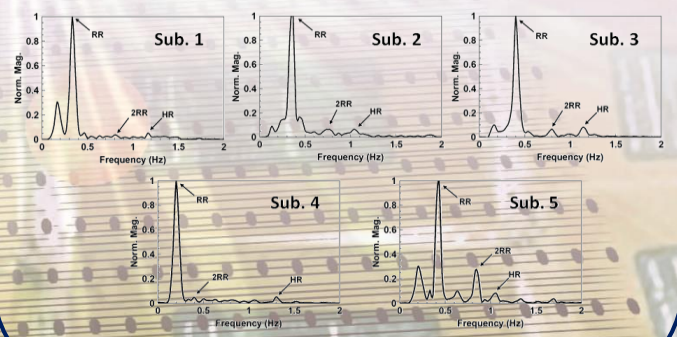
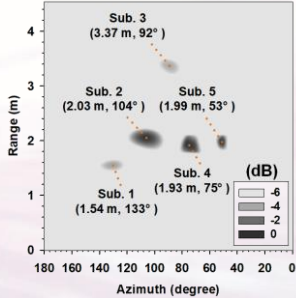
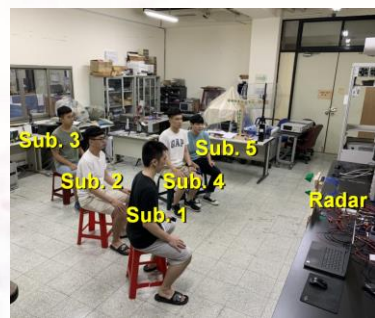
Solder bump



Bond pad



RF System in Package



Vital Sign Doppler Radar